

PHILIPS

Automotive lighting

Philips LED CANbus Adapters



The simple solution for elimination of common LED installation issues.

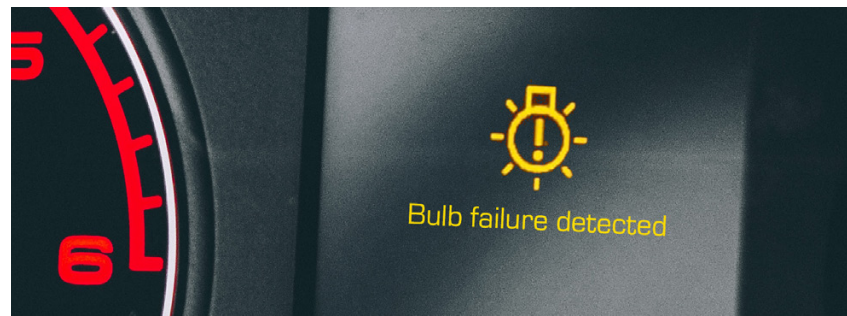
Automotive LED lights are great. They're rugged, they last far longer than conventional bulbs, and they can offer brilliant illumination. But in some vehicles, they can also trigger a false bulb failure warning or a 'fast flashing' condition. Here's why that happens and how it can be fixed with either the **5W or 21W Philips LED CANbus Adapter**.

Avoid false bulb failure warnings by installing the Philips LED CANbus Adapter.

Some cars use the vehicle's computer network (CANbus) system to verify the functioning of the vehicle's lights. Because LED bulbs have a lower wattage and draw much less power than conventional bulbs, when the system runs a check, the electrical resistance of an LED may be too low to be detected.

This creates a false warning that one of the bulbs has failed. Philips LED CANbus Adapters help prevent false bulb failure warnings. Installation of the adapters takes just minutes.

In addition, a lot of auto manufacturers use PWM (or pulse width modulation) to precisely control the voltage to a bulb. One of the benefits of doing this is to improve bulb life.



These quick, voltage pulses (PWM) do not give a bulb filament time to cool down and dim, so for halogen bulbs the pulses are not noticeable.

However, with an LED bulb, these pulses are enough to turn the LEDs off and on very quickly, which results in a flashing of the light. The CANbus adapters we have for interior and exterior bulbs eliminate any issues introduced when installing an LED in place of a halogen bulb.

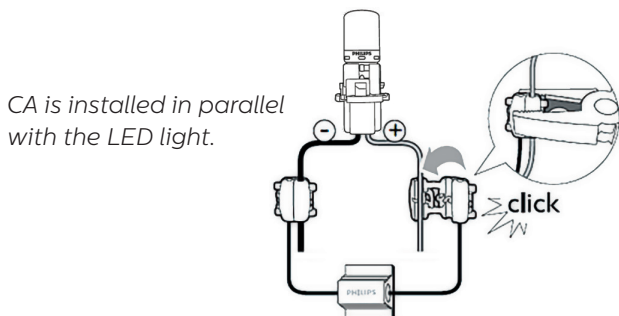
See other side for Frequently Asked Questions.

Philips CANbus Adapter (CA) Frequently Asked Questions

How do I install a CANbus Adapter?

If your car has a dashboard error message, experiences fast flash, or goes in limp home mode after installing an LED bulb, you may need to install a Philips Ultinon LED CANbus Adapter (CA).

See the image below for installation instructions:



CA is installed in parallel with the LED light.

Why is there a polarity issue with LED bulbs?

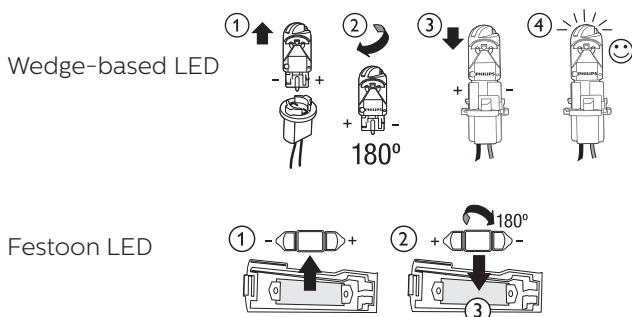
Regular incandescent bulbs can draw current in either direction. There are no 'positive' or 'negative' sides on the bulb. The bulb will work regardless of which direction it is inserted. LED bulbs, however, only draw current in one direction. So if the LEDs are inserted incorrectly, they will not work. The solution is to simply flip the LED.

If your Ultinon LED bulb doesn't light up when you first install it, take it out, flip it 180°, and reinstall it.

1. Remove the LED from the socket
2. Flip the LED 180°
3. Insert the LED back into the socket
4. Check to ensure the LED lights up

Do not force the LED or alter the socket.

Be sure that you have the right LED for your application.



Note: in rare cases, vehicles may not adapt to a CANbus Adapter.

Which Philips CANbus Adapter do I need: 5W or 21W?

Find your Philips LED part number below to check whether you'll need a CANbus 5W or CANbus 21W adapter.

6000k White			
Philips Part No.	Industry Part No.	Also Fits	CANbus Adapter
168ULWX2	168WLED	158, 194, 12961	CANbus 5W
194ULWX2	194WLED	158, 168, 12961	CANbus 5W
578ULWX1	578WLED	212-2, 211-2, 6411, 12866	CANbus 5W
921ULWX2	921WLED	904, 906, 912, 916	CANbus 21W
1156ULWX2	1156WLED	1141, P21W	CANbus 21W
1157ULWX2	1157WLED	2057, 2357, P21/5W	CANbus 21W
12961ULWX2	12961WLED	158, 168, 194	CANbus 5W
3156ULWX2	3156WLED	3155, 3456, 4156	CANbus 21W
3157ULWX2	3157WLED	3047, 3057, 3457, 4057, 4114, 4157	CANbus 21W
6411ULWX1	6411WLED	212-2, 211-2, 578, 6411, 12866	CANbus 5W
6418ULWX1	6418WLED	12844, 12854, DE3423, DE3425	CANbus 5W
7440ULWX2	7440WLED		CANbus 21W
7443ULWX2	7443WLED	7444	CANbus 21W
DE3175ULWX1	DE3175WLED	12818, DE3021, DE3022	CANbus 5W

Intense Red			
Philips Part No.	Industry Part No.	Also Fits	CANbus Adapter
1156RULRX2	1156RLED	1141, P21W	CANbus 21W
1157RULRX2	1157RLED	2057, 2357, P21/5W	CANbus 21W
194RULRX2	194RLED	158, 168, 2825, 12961	CANbus 5W
921RULRX2	921RLED	904, 906, 912, 916	CANbus 21W
3157RULRX2	3157RLED	3047, 3057, 3457, 4057, 4114, 4157	CANbus 21W
7440RULRX2	7440RLED		CANbus 21W
7443RULRX2	7443RLED	7444	CANbus 21W

Intense Amber			
Philips Part No.	Industry Part No.	Also Fits	CANbus Adapter
1156AULAX2	1156ALE	1141, P21W	CANbus 21W
1157AULAX2	1157ALE	2057, 2357, P21/5W	CANbus 21W
194AULAX2	194ALE	158, 168, 2825, 12961	CANbus 5W
3157AULAX2	3157ALE	3047, 3057, 3457, 4057, 4114, 4157	CANbus 21W
7443AULAX2	7443ALE	7444	CANbus 21W

X1 = 1 bulb per pack / X2 = 2 bulbs per pack

Lumileds

34119 W. Twelve Mile Road, Suite 102

Farmington Hills, MI 48331

Phone: 800-257-6054

www.philips.com/automotive



For more information, please contact your Lumileds sales account manager or customer service at:

866-254-6989 | philipsautoorders@lumileds.com

2018-2021 © Lumileds Holding B.V. All rights reserved. The Philips trademark and the Philips shield emblem are registered trademarks of Koninklijke Philips N.V.